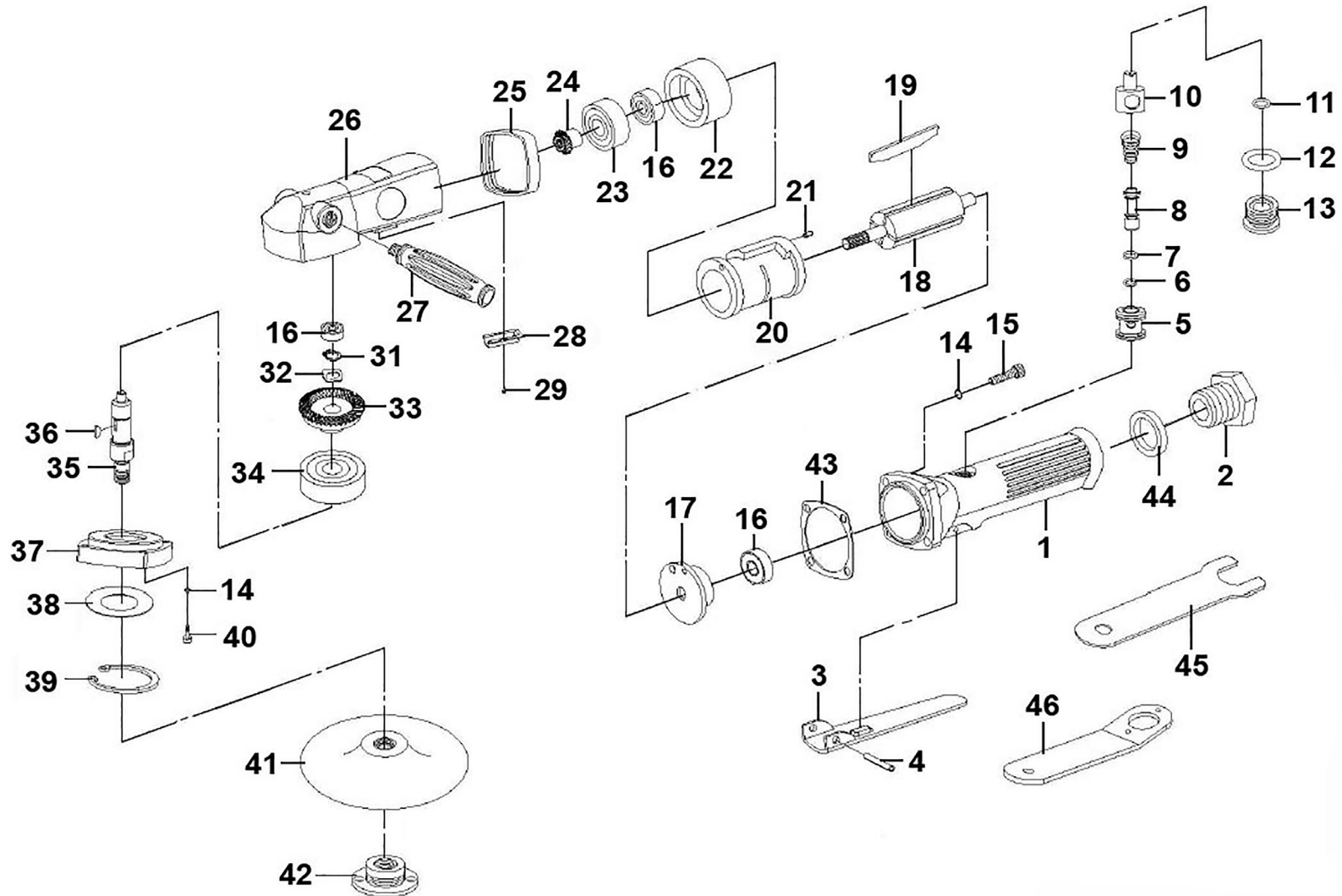




Parts Information:
Air Polisher 180mm 2200rpm
Model No: SA17/S.V2



NOTE: It is our policy to continually improve products and as such we reserve the right to alter data, specifications and component parts without prior notice.

There may be alternative versions of this product, please contact us should you require this information.

IMPORTANT: No liability is accepted for incorrect use of product. Spare parts must be fitted by a competent person

WARRANTY: Guarantee is 12 months from purchase date, proof of which will be required for any claim.

Sealey Group, Kempson Way, Suffolk Business Park, Bury St Edmunds, Suffolk. IP32 7AR



01284 757500



sales@sealey.co.uk



www.sealey.co.uk



Parts Information:
Air Polisher 180mm 2200rpm
Model No: SA17/S.V2

Item	Part No.	Description
1	SA17S.V2-01	Housing
2	SA17S.V2-02	Air Inlet
3	SA17S.V2-03	Trigger
4	SA35/93/30	Spring Pin M3 x 23mm
5	SA17S.V2-05	Valve Bushing
6	SA17S.V2-06	O-Ring (7.78 x 4.81 x 1.49mm)
7	AK458DX.V4-20	O-Ring (8.84 x 5.28 x 1.78mm)
8	SA17S.V2-08	Valve Stem
9	SA17S.V2-09	Spring Conical
10	SA17S.V2-10	Air Regulator
11	GSA08.09-4	O-Ring (11.21 x 7.65 x 1.78mm)
12	SA17S.V2-12	O-Ring (18.08 x 12.18 x 2.95mm)
13	SA17S.V2-13	Valve Plug
14	SWM5.S	Spring Washer M5
15	SCB518.SB	Socket Cap Bolt M5 x 18mm Black
16	B/608ZZ	Bearing 608ZZ
17	SA17S.V2-17	Rear Plate
18	SA17S.V2-18	Rotor
19	SA17S.V2-19	Rotor Blade
20	SA17S.V2-20	Cylinder
21	SA31T/41	Spring Pin M3 x 6mm
22	SA17S.V2-22	Front Plate
23	B/6201ZZ	Bearing 6201ZZ
24	SA17S.V2-24	Pinion Gear

Item	Part No.	Description
25	SA17S.V2-25	Rubber
26	SA17S.V2-26	Angle Head
27	SA17S.V2-27	Handle
28	SA17S.V2-28	Deflector
29	MSP46.S	Machine Screw Pan Head Phillips M4 X 6mm
31	SA17S.V2-31	Internal Circlip 40.8mm OD
32	SA17S.V2-32	Wave Washer
33	SA17S.V2-33	Bevel Gear
34	B/6203-2RS	Bearing 6203-2RS
35	SA17S.V2-35	Spindle
36	SA17S.V2-36	Woodruff Key
37	SA17S.V2-37	Front Plate
38	SA17S.V2-38	Washer
39	SA58.V2-17	External Circlip 19.4mm
40	SCB520.SB	Socket Head Cap Screw M5 x 20mm Black
41	PTC/BP7/5/8	Grinder & Sander Backing Pad Ø 171mm 5/8"UNC
42	SA17S.V2-42	Pad Nut 5/8"
42	PTC/LN/5/8	Pad Nut 5/8" (Please See Catalogue)
43	SA17S.V2-43	Gasket
44	SA17S.V2-44	O-Ring (25.51 x 21.95 x 1.78mm)
45	SA17S.V2-45	Wrench
46	SA17S.V2-46	Wrench

NOTE: It is our policy to continually improve products and as such we reserve the right to alter data, specifications and component parts without prior notice. There may be alternative versions of this product, please contact us should you require this information.

IMPORTANT: No liability is accepted for incorrect use of product. Spare parts must be fitted by a competent person

WARRANTY: Guarantee is 12 months from purchase date, proof of which will be required for any claim.

Sealey Group, Kempson Way, Suffolk Business Park, Bury St Edmunds, Suffolk. IP32 7AR



01284 757500



sales@sealey.co.uk



www.sealey.co.uk